

Winners of Reddot, iF Design and Taiwan Excellence Awards 2023

2023 紅點設計獎 +iF 設計獎 + 台灣精品獎得主



reddot award 2023 winner



● Hazet SmartHolder

The SmartHolder can hold numerous high-quality tools in a minimal amount of space. According to the jury, the design of the compact tool holder impresses with stylish aesthetics and the “use of materials with good tactile feedback, as well as well-thought-out functional details”, including printed pictograms that provide a good overview of the contents. The practical item is also easy to open: two strips slide apart by means of a push-button. Then the tools can be removed intuitively. When closed, however, all individual parts are held securely in place, thanks to a locking mechanism.

Manufacturer:
HAZET-WERK, Remscheid, Germany



● Hilti SIW 6-22 / SIW 8-22

Both the weight and length of the Hilti SIW 6-22 and SIW 8-22 impact drivers have been significantly reduced in order to maximise versatility and convenience. According to the jury, the compact design makes the cordless impact drivers “extremely practical and easy to use”. The tools are not only equipped with durable, brushless motors, but also very well suited for use in confined spaces. The two speed levels allow for both fast and controlled work. An LED lamp gives the user a clear view of the respective workpiece.

Manufacturer:
Hilti Corporation, Schaan, Liechtenstein



● Waterson Self-Closing Swing Clear Hinge

The Waterson Self-Closing Swing Clear Hinge combines the functions of a hinge and door closer in one unit. In compliance with accessibility regulations, it allows doors weighing up to 200 kg to be opened with a pressure force of just 2.5 kg (25N) and safely closed automatically after more than five seconds. The L-leaf design also improves user mobility by enlarging door openings. The hinges are made of recyclable stainless steel using an investment casting process. “An innovative contribution to improving the quality of life of people with and without impairments,” the jury said.

Manufacturer:
WATERSON CORP., Douliu, Taiwan

● **SW Stahl Ideallinie Series**

For the SW Stahl Ideallinie Series, a cross-product design language and colour palette were developed that are intended for the brand's entire automotive tool portfolio, are transferable to a wide variety of tool types and generate a high recognition value. Defined contours and surfaces, as well as a high-quality finish, ensure a professional appearance. Symmetrical lines, along with separations between plastics with different degrees of hardness, ensure an iconic appearance. The jury praised the "successful, harmonious implementation of a comprehensive design concept down to the smallest detail".

Manufacturer:
SW-Stahl GmbH, Remscheid,
Germany



● **Handheld Nutrunner ITB-P (Integrated Controller Tensor Battery Tool – Pistol)**

The design approach in the development of the ITB-P is focused on the needs of the user in terms of safety and ergonomics. The compact design of the cordless nutrunner guarantees good accessibility to the respective workpiece, even in hard-to-reach areas. The advantageous weight distribution reduces strain on the wrists, while a well-positioned display, along with optical and haptic signals for correct handling, allows for user-friendly operation. The jury was impressed with the fact that the ITB-P "successfully integrates aesthetic aspects into a tool that is excellently geared to practical requirements".

Manufacturer:
Atlas Copco Industrial Technique AB, Stockholm, Sweden



www.biaoer.com

**YUYAO BIAOER TRADING CO., LTD.
YUYAO NO.2 STANDARD FASTENER FACTORY**

Tel: 86-574-62003777, 62003860 Fax: 86-574-62003980

Email: ruanlifei@biaoer.com MT: 86-15306621777

www.fastener-world.com/en/supplier/biaoer

Wucheyan Yuyao Ningbo Zhejiang China

Established in 1993, YUYAO BIAOER is a manufacturing and trading company specializing in EYEBOLT (GB789, DIN444) and HINGE.

Material: 4.6/ 8.8/ 10.9/ 12.9/ A2-70/ A4-70)

Standards: M6 - M100 (1/4" ~ 2")
The machined spherical part will remain cleaned and bright after a hot/cold forging and a complete cut process.

We've cooperated with big customers such as ... SIEMENS, ABB, GE..., etc.

We would like to take this opportunity to welcome you as our new customers. If you are interested, please contact us.

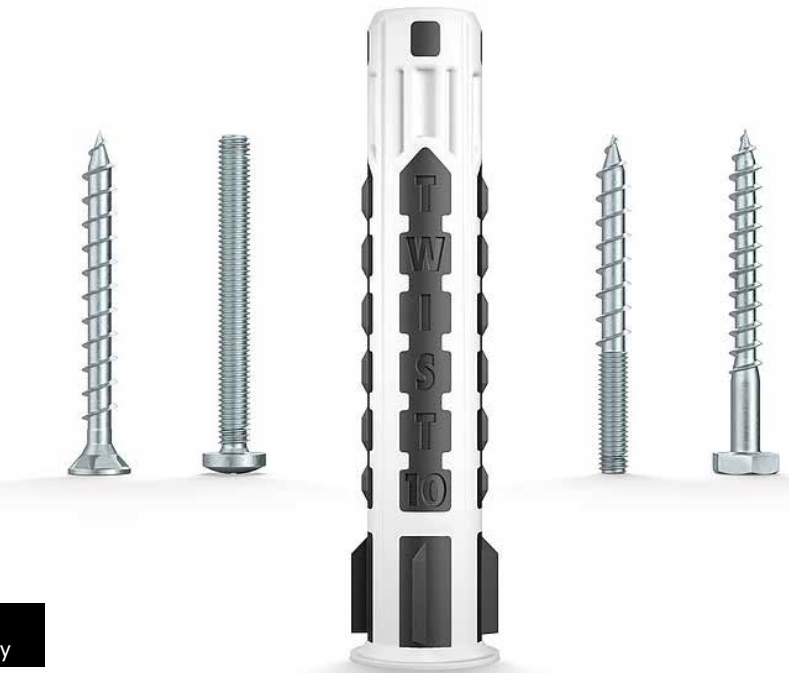


Attn: Mrs. Lao / Mr. Ruan

● Multi-Purpose Plastic Anchor SHARK® TWIST

The SHARK TWIST is a two-component, plastic, multi-purpose anchor. Combining both expandable and robust properties, it can adapt to various construction materials. When tightened, the anchor creates a high-load-bearing eight-fold knot with a large contact surface that holds the screw securely in place. The user can easily insert the anchor flush into the drill hole without a hammer using only their fingers and then fasten the screw without any risk of overtightening. The anchor is compatible with a variety of screws, including wood screws and metric screw threads, which expands the range of applications. The jury was particularly impressed by this versatility, along with the “user-friendly handling and reliability as a result of design innovation”.

Manufacturer:
Adolf Würth GmbH & Co. KG, Künzelsau, Germany



Stainless Steel Cable Ties & Hose Clamps

Cheng Heng Industrial Co., Ltd.

586, Sec. 9, Xiangshang Rd., Wuqi Dist., Taichung City 435055, Taiwan E-mail: hose.clamp@msa.hinet.net
Tel: 886-4-2639-2967 Fax: 886-4-2639-2963 www.fastener-world.com/en/supplier/chico

www.hoseclamp.com.tw

● ZEBRA Ratchet with 360° Rotating Handle

The ZEBRA ratchet with 360° rotating handle is a reversible ratchet with a sleek design whose base body with matt chrome plating gives it a stylish appearance. The handle material offers superior resistance to aggressive substances. According to the jury, the “exceptionally user-friendly functionality of the tool” is particularly evident in its innovative gear mechanism. Turning the end of the handle causes the drive to rotate, making it easier to work in hard-to-reach places. In addition, a special locking mechanism increases safety and enables tool attachments to be changed quickly.

Manufacturer:
Adolf Würth GmbH & Co. KG, Künzelsau, Germany



● The New EB - Battery Driven Torque Multiplier

Easy, accurate and safe tightening and loosening of bolts with more than 200 Nm – 6.000 Nm. Continuous rotating, battery powered torque multiplier with a planetary gear box. Bolted joints are used all over the world in various industries. These bolts need to be loosened to repair or service machines, engines, other equipment or vehicles and need to be tightened again properly so that they can be put back to work. Customers are looking for mobile, flexible and safe solutions which are battery powered and can produce very high torque and accuracy.



Manufacturer:
alki TECHNIK GmbH, Germany



● Hilti SD 5000-22 / SMD 57 Cordless Drywall Screwdriver

Our most powerful cordless drywall screwdriver now delivers up to 10% more torque to help you hang more drywall, wood boards and exterior sheathing. It also drives more screws per charge thanks to the brushless motor and high performance Nuron batteries. An in-line grip and LED light provide more comfort when hanging drywall all day. Same interface as its predecessor means the tool is compatible with current accessories – such as the improved SMD 57 Collated screw magazine with optimized strip feeding and slimmer design. An improved belt hook provides a more rigid and durable design, to better withstand harsh jobsite conditions.

Manufacturer:
Hilti Corporation Liechtenstein

● **NT1850DF / N1840DA**
Akku Stift Nagler (Serie 36 Volt / 18 Volt)

Finish nailers are used by many construction professionals, mainly for installation of siding and moldings on house interiors. This finish nailer is cordless and doesn't need a compressor, air hose, or gas cartridge. A unique air spring drive system utilizing internal compressed with a high-efficiency brushless motor achieves outstanding rapid-fire, and optimal design of the strike unit allows a more compact and lightweight nailer, for ease of use and less burden. Unlike existing gas combustion nailers, there's no noise, smell or nailing failure due to temperature or atmospheric pressure, for a clean environment and high quality finish.

Manufacturer:
Koki Holdings Co., Ltd.
Japan



● **CXS 18**
Cordless Drill

Light, compact and impressively strong. The 18-volt CXS 18 compact screwdriver is your ideal helper for the most varied everyday work. A number of attachments find solutions for the most difficult applications – perfect also for narrow spaces or corners. Fast tool change is secured by the FastFix interface and the CENTROTEC system. Clever details like the bit holder, the light control and the lid compartment Systainer³ make the CXS 18 a compact powerhouse with practical special equipment.

Manufacturer:
FESTOOL
Wendlingen, Germany

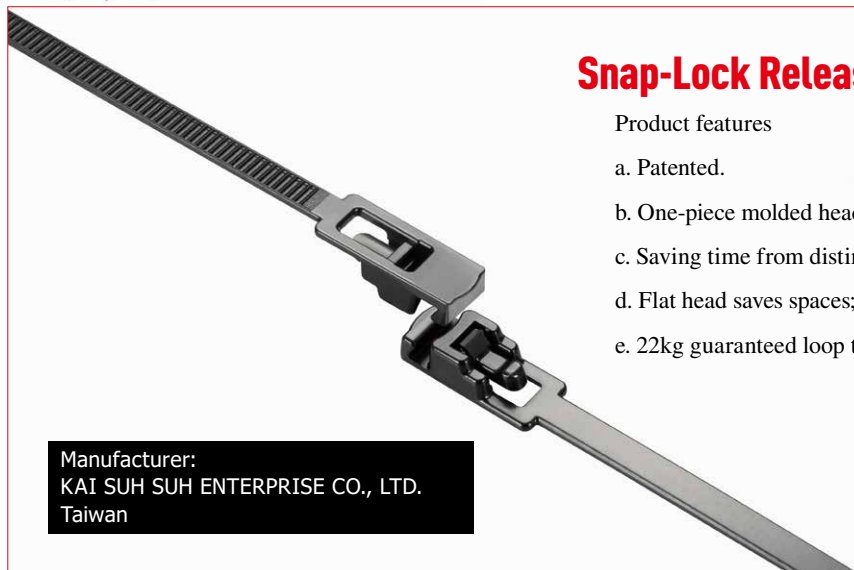


Snap-Lock Releasable Cable Tie

Product features

- a. Patented.
- b. One-piece molded head can be attached to another and detached.
- c. Saving time from distinguishing mortises and tenons.
- d. Flat head saves spaces; tail tip is easy to pierce.
- e. 22kg guaranteed loop tensile strength.

Manufacturer:
KAI SUH SUH ENTERPRISE CO., LTD.
Taiwan



● Automatic Industrial Cordless Brushless Low Torque Battery Screwdrivers Series

Adopting self-developed DC maintenance-free, high-efficiency brushless motor to avoid production downtime and volume. This series is widely used in server assembly, power controller assembly, electrical cabinet assembly, and auto EV parts assembly.

1. Labor saving design

The unique elevation angle design makes it easier for users to align the tool with screws.

2. Built-in LED to improve users' visibility

Built-in LED can light up dark areas to improve user visibility to prevent injury, missing screw mistakes.

3. Brand new auto shut-off braking system

Clutch shut-off time reduced by 33% and torque accuracy is improved by 15%.

4. High-efficiency brushless motor

High-efficiency brushless motor secures that workpiece will not be contaminated by carbon dust.

5. Contactless switches

We use contactless micro switches to increase switches lifetime and avoid production downtime.

6. Rechargeable Lithium-ion battery

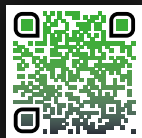
Fast charging can be completed in 40 minutes.

7. The production plant is ISO 9001 certified



Manufacturer
KILEWS INDUSTRIAL CO., LTD.
Taiwan

Connect with
Fastener World
on social media



惠達雜誌



facebook

LINE LINE

WeChat

twitter

Instagram

LinkedIn

Google+

Pinterest

● Nano Impact Sockets with Hex Shank

The global awareness of environmental protection has increased and electric vehicles become more and more popular, so the demand for electric vehicle repair will also increase significantly. Conventional impact sockets are not suitable for electric vehicle repair, because there are more and more complicated electric vehicle electronic parts, and the repair space is small. Tien-I Nano Hexagonal Impact Sockets address this problem by reducing the length by 33% through cold forging machines and newly developed molds without sacrificing the effective torque space; and through the patented hexagonal unique structure, Tien-I Nano Hexagonal Impact Sockets can comply with wrenches instead of ratchet, which greatly improves the work efficiency and further reduces the length by 50%. In addition, with the lightweight design, Nano hexagonal impact sockets weigh about 30% less than a traditional socket. Greatly increasing the service life by more than 10,000 times. The maximum torque is 30~50% higher than that of DIN.



Patented space-saving external hex design




Shortened length





Eye-catching color band


Manufacturer:
Tien-I Industrial Co., Ltd.
Taiwan




YENCHANG

Hardware Hook & Spring Factory








◀ CNC MILLING PARTS



◀ STAMPING PARTS



◀ WIRE FORMING



◀ SPRING CLIPS

Tel: 886-6-255 4123 Fax: 886-6-246 7212 E-mail: yenchang201@gmail.com
 www.yenchang.com.tw www.fastener-world.com/en/supplier/yenchang
 201, Gongming Road, Annan District, Tainan City 70968, Taiwan

