

## Industry Update

### EU's AD Duties Against Wire Rod Originating in China to Expire This October



The 24.0% AD duties the EU has imposed against wire rod originating in the People's Republic of China is scheduled to expire on 16 October, 2020. If there is no written request for a review being submitted to reach the European Commission, Directorate-General for Trade, at any time from the date of the publication of the present notice but no later than three months before 16 October, 2020, the measure will be terminated.

### Ukraine Releases Preliminary Determination Regarding AD Duty on China-made Steel Fasteners



On May 28, 2020, Ukraine released a preliminary affirmative determination regarding the AD duty on China-

made steel fasteners including screws, bolts and nuts in accordance with the resolution stated in AD-447/2020/4411-03. Effective from the date of the announcement for a period of 4 months, a temporary 19.75% AD tax will be imposed on fasteners including Ukraine-HS codes 7318156990, 7318158190, 7318158990, 7318159090, 7318169190 and 7318169990.

Ukraine initiated this AD investigation on steel fasteners originated in China on December 7, 2019.



### South Africa Initiates an Investigation on Imported Steel and Iron Hexagonal Bolts

On May 15 the South African International Trade Administration Commission announced to initiate a safeguard measure investigation against imported steel and iron hexagonal bolts. The application was lodged by South African Iron and Steel Institute. The HS code involved within the investigation is 73181543. This is the third safeguard measure investigation launched by South Africa on certain steel and iron fasteners. The previous two investigations were:

(1) Investigation on hexagonal steel screws initiated on April 20, 2018. The HS code involved was 73181539. The products involved were charged an ad valorem tax for a period of 3 years as a safeguard measure. The tax rate was 50.54% for the first year, 48.01% for the second year, and 45.61% for the third year.

(2) Investigation on steel threaded fasteners initiated on March 1, 2019. The HS codes involved were 73181541, 73181542, and 73181630. The products involved were charged an ad valorem tax for a period of 3 years as a safeguard measure. The tax rate was 54.04% for the first year, 52.04% for the second year, and 50.04% for the third year.

### South Africa's Car Export Won't be Impacted by UK's New Tariff Measures



Department for International Trade

UK's Department for International Trade has recently announced the new tariff measures, which will become effective on January 1st, 2021 and will get up to 6,000 types of products involved. According to the new list of products subject to tariffs, cars imported into the UK will be subject to a tariff rate of 10%. However, as South Africa has signed an economic partnership agreement with the UK in Sep. 2019, which allows South Africa to enjoy the favorable tariff-free measure, cars exported from South Africa to the UK will not be subject to the tariff of 10% imposed on all countries.

The UK is one of the most important export partners for the automotive industry of South Africa. In 2019, South Africa exported 387,125 units of cars to the world, 101,401 units of which (more than 25%) were exported to the UK and 37,152 units of which were exported to Germany (its second largest export partner). According to Naamsa, any change in the economic partnership agreement has to be bilaterally negotiated and cannot be made unilaterally by either party. As a result, cars exported from South Africa to the UK will still enjoy the favorable tariff-free measure after the new measures come into effect in January 2021.



### Fasteners to be Subject to 0% Tariff Under UK's New Tariff Measures Effective 2021

The British Government has announced its new tariff measures on May 19, 2020 after it officially broke up with the EU earlier this year. The new measures will come into effect starting Jan/01/2021 and will make the calculation of import tariffs become more streamlined. New measures will be calculated in GBP.

Fasteners falling within the 7318 category were originally subject to the import tariff of 3.7%. With the new measures, the tariff for fasteners will be reduced to zero percent. The British Government hopes importing merchandise will become easier through the adoption of these measures and local enterprises can also import merchandise at more favorable prices to support the British economy. British International Secretary of State Liz Truss said that this is the first time since 1970 that the UK could build an economic and tariff system that is suitable to the UK and the new tariff measures will help cut red tape and reduce the costs of tens of thousands of commodities, making consumers and families in the UK well benefited.



## China Stops Imposing Extra Tariff on U.S. Fasteners with Tensile Strength Over 800MPa



The Tariffs & Regulations Committee of PR China's State Council has recently announced the second wave of "exemption" list of products imported from the U.S. subject to extra tariffs. Screws and bolts with the tensile strength equal and over 800MPa (product code 73181510), whether assembled with nuts or washers, are also in the "exemption" list. This announcement will be effective from May 19 this year through May 18, 2021. Those tariffs already collected by the Chinese Customs before May 19 will, as a result, be reimbursed, and the importing companies involved can submit their application to the Chinese Customs for the reimbursement within 6 months after the announcement of the "exemption" list.



## Car Sales in Russia Drop by 72.4% This April Due to Covid-19

According to European Chamber of Commerce, with the influence of Covid-19, the total sales of cars and commercial cars in Russia in April 2020 reached only 38,922 units, down 72.4% from last April (141,011 units). In the first 4 months of 2020, the cumulative sales of cars in Russia reached 415,102 units, down 19.1% from the same period of 2019.

## Polish Car Production Down 13.2% in Q1 and Sales Down 23%

According to the quarterly reports of PZPM and KPMG, the car production of Poland in Q1 2020 was down 13.2% and the new car registration was also down 23%. However, the registration for EVs in the same quarter doubled and reached 1,278 units. The total car production of Poland in the quarter reached 148,900 units. "Bus" appeared the most significant decline and was down 20% compared to the corresponding quarter of 2019. The production of sedans was down around 10%, and if to view by month, the production in March was down more than 50%.



It is estimated that the average decline margin of all types of vehicles may even reach 60-70% in the 2nd quarter of 2020. PZPM president Jakub Farys said, "Such a scenario may gradually become stable in a couple of months, which means the decline margin in Q3 or Q4 this year may not be as significant as in Q2, though going back to the previous level seems still impossible."



## China's Total Export in April Takes an Unexpected Upturn of 3.5%

The pandemic is raging across the globe and strict quarantine is enforced in major economic entities. Enormous pressure is expected to cast on China's trade. However, the country took an unexpected upturn as General Administration of Customs of China released April trade statistics on its official website in May.

China's total trading (import plus export) value in April declined 5% to USD 355.22 billion. The total export increased 3.5% to USD 200.28 billion; the total import decreased 14.2% to USD 154.94 billion. The April trade surplus increased to USD 45.34 billion.

According to General Administration of Customs of China, for the January-to-April period, China's total trading (import plus export) value was USD 1.3 trillion, down 7.5%. The export value dropped 9% to USD 678.2 billion; the import value dropped 5.9% to 620.05 billion. The April trade surplus decreased 32.6% to USD 58.23 billion. The total trading value between the U.S. and China dropped 12.8%. China exported a total value of RMB 702.28 billion to the U.S., down 15.9%, and imported a total value of RMB 256.18 billion from the U.S., down 3%. The trade surplus with the U.S. was RMB446.1 billion.



## Car Sales in China Ends 21 Months of Drop in a Row

According to the statistics of China Association of Automobile Manufacturers (CAAM), in April 2020, 2.102 million units of vehicles were produced and 2.07 million units were sold in China, respectively up 46.6% and 43.5% from this March and up 2.3% and 4.4% from the same period last year. This also shows the end of a consecutive drop in sales over the past 21 months.

CAAM said, as the pandemic curve in China has been gradually flattened since this April and Chinese government has also announced some stimulus plans for boosting local car production and sales, the performance of Chinese automotive market in April was improved. However, due to the pandemic in other countries, China only exported around 70,000 units of vehicles this April, down 22.9% from this March and down 15.7% from the same period last year.

In the first 4 months of 2020, 5.596 million units of cars were produced and 5.761 million units of cars were sold in China, respectively down 33.4% and 31.1% from the same period last year. In terms of new energy vehicles, the production and sales in China were both roughly 0.205 million units, a significant drop of 44.8% and 43.4% from the same period last year. Beijing has also announced in March that it will extend the subsidies and tax exemption policies pertaining to new energy vehicles (EVs or plug-in Hybrids, for example) for 2 years, in order to deal with the recent low car sales result.



## Companies Development

### Midland Industries Opens Houston Distribution Center


Midland Industries, headquartered in Kansas City, Missouri, is excited to announce the opening of its newest distribution center, located at 5544 Armour Dr. Houston, TX 77020. This facility will stock a complete line of industrial, plumbing, waterworks, and irrigation products including, brass fittings, valves, malleable fittings, steel nipples, ductile iron gate and check valves, lead-free brass fittings, bronze fittings, brass nipples, stainless steel fittings and nipples, and much more. In addition to providing faster deliveries to its customers in the South, this facility features a will-call area supporting customers in the Houston area that wish to pick up.



Maryland Precision Spring

### Maryland Precision Spring, an MW Industries Company, Achieves AS9100D/ISO 9100:2015 Certification

Maryland Precision Spring is pleased to announce its achievement of AS9100D and ISO 9100:2015 certification. AS9100 registration is an aviation, space, and defense quality standard, based on the ISO9001 quality management system and supported by the International Aerospace Quality Group (IAQG). Maryland Precision Spring has been manufacturing custom components to the aerospace and general industrial markets for over 40 years. The company excels at application engineering support, consignment and Kan-Ban inventory, EDM prototyping production, in-house heat treating/tool shop and special packaging. This rapid response, combined with the quality assurance of the AS9100 certification, ensures the company's continued position as a trusted supplier within the aerospace and defense industries.




[www.w-i.com.tw](http://www.w-i.com.tw)





Computerized CNC auto grinder, specialized in punches/dies of various nuts, screws, sleeves and socket boxes.




**ISO14001:2015**  
**ISO9001:2015**

No.21, Min-zu Rd., Lujhu Dist., Kaohsiung City 82147 Taiwan  
 Tel: 886-7-697-2188  
 Fax: 886-7-697-2180  
 E-mail: sales@w-i.com.tw

Looking for any products?

Fastener World has 

10,000+ 


manufacturers 

available 

for you! 







## NYLON FASTENERS

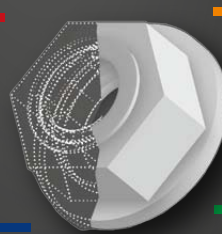
washers



handles      plugs

nuts

bushings

spacers      screws



**BÜLTE GmbH - Kunststoffzeugnisse**  
 D 59348 Lüdinghausen - Germany  
 Tel : (+49) 02591/9194-0  
 Fax : (+49) 02591/9194-34  
 bulte@bulte.com - [www.bulte.com](http://www.bulte.com)



### Tri-Star Providing COVID-19 Ventilator Fasteners

As the effect of the COVID-19 pandemic rapidly advanced across the United States, GM/Ventec, and other medical equipment manufacturers continue their aggressive timetable to ramp up production of ventilators that have been in short supply. Local Connecticut based manufacturer Tri-Star Industries, an MW Industries company, has been supplying engineered fasteners that are critical to ventilator assemblies. Tri-Star has been working around the clock to meet the demand surge from many companies involved with the production of these vital medical life support systems.

Tri-Star Industries has long served numerous manufacturing industries for over 28 years providing “Made in America”, threaded inserts and precision machined products to Electronics, Automotive, Food and Beverage, and Military & Defense industrial sectors to name a few.



### TriMas Aerospace Expands European Footprint

TriMas announced that TriMas Aerospace has formed a strategic partnership with Kuehne+Nagel to establish a European logistics hub in Contern, Luxembourg. This expansion was driven by TriMas Aerospace’s new business growth in the region with customers like Airbus, Safran and Sonaca and the strategic positioning of parts to service its customer base.

Kuehne+Nagel was selected as a well-respected global third party logistics provider with a significant presence in Europe that provides the expertise to support strategic warehousing and logistics requirements. The European logistics hub provides TriMas Aerospace with the ability to pre-position product to support the region. This extends to recently secured long-term original equipment manufacturer (OEM) agreements, as well as urgent aftermarket requirements. TriMas anticipates supporting its European customers with product availability out of its Kuehne+Nagel partner location by the third quarter of 2020.

### Sheh Fung Screw’s Revenue Down 25.64% in May, but First 5 Months Cumulative Revenue up 8.87%

On May 6th, Sheh Fung Screws reported its May revenue at NTD 142 million, down 25.64% over May 2019. The company explained that it was mainly attributed to the coronavirus pandemic in the U.S. and Europe, which influenced the arrangement of its product shipments. In addition, the increased new product delivery in May 2019 raised the



comparative basis and it was the main cause for the comparatively significant drop in the revenue in May 2020. Nevertheless, the company still benefited from clients' increased orders and saw its revenue in the first 5 months of 2020 reach NTD 812 million, up 8.87% over the same period last year. It is expected that the U.S. and European clients' increasing demand for fasteners will keep the impetus for Sheh Fung's business operation.



## Carlo Salvi S.p.A. Ready for a Progressive and Total Resumption of All Suspended Activities

In a letter to customers, partners, and providers, the team of Carlo Salvi S.p.A said on May 21st that they have provided for a progressive and subsequently total resumption of all suspended activities due to the spread of Covid-19. The company every day adopts and guarantees all the sanitary measures aimed at protecting the health of all employees, partners and providers. Carlo Salvi guarantees full operations in the offices in Italy; activities are gradually resuming also into the foreign subsidiaries and all over the world through our collaborators who take care of the sales and service network every day," according to the team of Carlo Salvi. Carlo Salvi is a leading company in the wire forming field and is known worldwide for the reliability, top quality and excellent performance of its heading machines.

## Association News

### EIFI Annual Conference 2020 Cancelled

The EIFI annual conference, which was originally scheduled for May 14-17 to be hosted by its member, Deutscher Schraubenverband e.V. in Garmisch, Germany was cancelled. "The EIFI General Assembly will not take place this year due to the pandemic," EIFI Secretariat told Fastener World on May 7. EIFI has not yet determined the exact dates and location for the next EIFI annual conference. For further information, please contact EIFI Secretariat at info@eifi.org



## Acquisitions

### Bulten Acquires Minority Post in TensionCam Systems AB



Bulten has acquired newly issued shares in TensionCam Systems AB for a purchase price of SEK 6 million. After the acquisition, Bulten becomes the owner of 27% of TensionCam's shares. Thus, Bulten and TensionCam will deepen their cooperation in the development of wireless clamp force monitoring of screw joints.

TensionCam is a Gothenburg-based company, specializing in the development of sensors for clamp force monitoring in screw joints and is, after the new share issue, 73% owned by G-Coder Systems AB. The company, both individually and together with industrial partners and research institutes, conducts research and development in the area and already owns a number of patents. TensionCam's technology is not currently commercialized or industrialized. The deeper cooperation aims to accelerate the completion of ready and concrete customer offers.



### 東佑典實業股份有限公司(三芳)

#### TAIWAN NYLON WASHER CO., LTD.

台南市政安路19號 (和順工業區)  
1F, NO.19, CHENG AN RD., AN NAN DIST., TAINAN, TAIWAN  
TEL: 886-6-355 6607 886-6-251 9718 FAX: 886-6-355 7778  
E-mail: twnylon.washer@msa.hinet.net  
http://taiwannylonwasher.com.tw  
http://www.fastener-world.com/en/supplier/twnylon



ISO 9001:2015



**Main Products**

- Nylon Washer
- Flat Washer
- Cap Nut
- Plastic Screw

- Plastic Nut
- Rubber O-Ring
- Various Plastic Products

**主要產品**

- 尼龍華司
- 墊圈、戴帽
- 塑膠螺絲

- 塑膠螺帽
- 橡膠O型環
- 各類塑膠橡膠製品



## Product Rollout

### Danish OnRobot Releases a Smart Screwdriver Offering Out-of-the-box Setup

Denmark-based OnRobot introduced the OnRobot Screwdriver. Unlike conventional single-piece screwdriving systems, this all-new automated solution can work in various applications, and therefore, manufacturers can automate highly repetitive screwdriving process with speed, simplicity and flexibility, depending on actual needs.

To program the OnRobot Screwdriver, users only need to enter the screw length and torque value. It then automatically calculates the force and speed with which to drive in the screw. It detects screws for incorrect lengths to reduce waste and improve production quality. Its unique "z-axis" provides effective protection, and reduces parts collision during robotic arm movement. Screws up to 35mm long are retracted completely inside the screwdriver when moving, enhancing its collaborative capabilities. The Screwdriver can handle a wide range of screw sizes and lengths, from M1.6 to M6, and up to 50mm long. The screwdriver can be quickly changed over to different screws in minutes, which reduces downtime and improves productivity.



### WMS Large Wheel Nut Fastening Management System by Japanese Tohnichi

Tohnichi begins sales of WMS Large Wheel Nut Fastening Management System which can be used to re-tighten large wheel nuts on cars running 50-100 kilometers. The user can set the limits of the number of axles, tires, nuts, and torque values. Correct data management of large wheel nut fastening can be done by a single person. The fastening data is transmitted via WIFI and is color coded for the user to confirm the fastening result by sight. The user can search fastening records or export them in CSV format.



### Japanese TODA Co-develops Eye Washer with Katecs

"Eye Washer" co-developed by TODA and Katecs is a color-forming special lock washer used with bolts, through which the user can determine the axial force on the lock bolt by visual check. TODA and Katecs stick two pressure-measuring films on the back of plastic washers. As the pressure starts to act on the washer, the color former will come out and color the washer red. The operator can check the diameter of the red zone by sight to determine the axial force acting on the bolt head. This is a way cheaper than using an axial force gauge and the setup is easy.



**We have 40 years of professional manufacturing experience to help customers solve fastener problems**

◀ Special Screws

▲ Stainless Steel

**Multi-Process Cold Forging**  
 Special Custom Fasteners  
 Auto/Motorcycle Fasteners  
 Special Screws/Special Nuts  
 Hand Tool Screws  
 Construction Screws

▲ Aluminum alloy

ISO 9001: 2015

<http://www.jin-yings.com.tw>  
<http://www.fastener-world.com/en/supplier/jy>

**JIN-YINGS ENTERPRISE CO.,LTD.**  
 NO.2, LN. 1, FUXING RD., LUZHU DIST.,  
 KAOHSIUNG CITY 821, TAIWAN  
 Tel :+886 7 6964088 Fax:+886 7 6966416  
 Email :jin-yings@hotmail.com